

## Product Specification

### 2 Gigabit Long-Wavelength Pluggable SFP Transceiver FTRJ1519P1xCL

#### PRODUCT FEATURES

- Up to 2.125Gb/s bi-directional data links
- Hot-pluggable SFP footprint
- Built-in digital diagnostic functions
- Uncooled 1550nm DFB laser transmitter
- Duplex LC connector
- Very low jitter
- Metal enclosure, for lower EMI
- Single 3.3V power supply
- Up to 80 km on 9/125µm SMF
- Low power dissipation <700mW typical
- Extended operating temperature range: -10°C to 70°C



#### APPLICATIONS

- Gigabit Ethernet
- 1X and 2X Fibre Channel

Finisar's FTRJ1519P1xCL Small Form Factor Pluggable (SFP) transceivers are compatible with the Small Form Factor Pluggable Multi-Sourcing Agreement (MSA). They comply with Gigabit Ethernet as specified in IEEE Std 802.3 and Fibre Channel FC-PI 13.0. Digital diagnostics functions are available via the 2-wire serial bus specified in the SFP MSA.

#### PRODUCT SELECTION

### FTRJ1519P1xCL

|   |   |                        |
|---|---|------------------------|
| x | W | Wide Extraction Bail   |
|   | B | Narrow Extraction Bail |

**I. Pin Descriptions**

| Pin | Symbol             | Name/Description   | Ref. |
|-----|--------------------|--|------|
| 1   | V <sub>EET</sub>   | Transmitter Ground (Common with Receiver Ground)               | 1    |
| 2   | T <sub>FAULT</sub> | Transmitter Fault. Not supported.                              |      |
| 3   | T <sub>DIS</sub>   | Transmitter Disable. Laser output disabled on high or open.    | 2    |
| 4   | MOD_DEF(2)         | Module Definition 2. Data line for Serial ID.                  | 3    |
| 5   | MOD_DEF(1)         | Module Definition 1. Clock line for Serial ID.                 | 3    |
| 6   | MOD_DEF(0)         | Module Definition 0. Grounded within the module.               | 3    |
| 7   | Rate Select        | No connection required   | 4    |
| 8   | LOS                | Loss of Signal indication. Logic 0 indicates normal operation. | 5    |
| 9   | V <sub>EER</sub>   | Receiver Ground (Common with Transmitter Ground)               | 1    |
| 10  | V <sub>EER</sub>   | Receiver Ground (Common with Transmitter Ground)               | 1    |
| 11  | V <sub>EER</sub>   | Receiver Ground (Common with Transmitter Ground)               | 1    |
| 12  | RD-                | Receiver Inverted DATA out. AC Coupled                         |      |
| 13  | RD+                | Receiver Non-inverted DATA out. AC Coupled                     |      |
| 14  | V <sub>EER</sub>   | Receiver Ground (Common with Transmitter Ground)               | 1    |
| 15  | V <sub>CCR</sub>   | Receiver Power Supply  |      |
| 16  | V <sub>CCT</sub>   | Transmitter Power Supply                                       |      |
| 17  | V <sub>EET</sub>   | Transmitter Ground (Common with Receiver Ground)               | 1    |
| 18  | TD+                | Transmitter Non-Inverted DATA in. AC Coupled.                  |      |
| 19  | TD-                | Transmitter Inverted DATA in. AC Coupled.                      |      |
| 20  | V <sub>EET</sub>   | Transmitter Ground (Common with Receiver Ground)               | 1    |

Notes:

1. Circuit ground is internally isolated from chassis ground.
2. Laser output disabled on T<sub>DIS</sub> >2.0V or open, enabled on T<sub>DIS</sub> <0.8V.
3. Should be pulled up with 4.7k - 10 kohms on host board to a voltage between 2.0V and 3.6V. MOD\_DEF(0) pulls line low to indicate module is plugged in.
4. Finisar FTRJxx21xxxxx transceivers operate between OC-3 and OC-48, 1x and 2x Fibre Channel, and Gigabit Ethernet data rates and respective protocols without active control. Finisar FTRJxx19xxxxx transceivers operate at 1x and 2x Fibre Channel, and Gigabit Ethernet data rates and respective protocols without active control.
5. LOS is open collector output. Should be pulled up with 4.7k – 10 kohms on host board to a voltage between 2.0V and 3.6V. Logic 0 indicates normal operation; logic 1 indicates loss of signal.



**Pinout of Connector Block on Host Board**

## II. Absolute Maximum Ratings

| Parameter                  | Symbol          | Min  | Typ | Max | Unit | Ref. |
|----------------------------|-----------------|------|-----|-----|------|------|
| Maximum Supply Voltage     | V <sub>CC</sub> | -0.5 |     | 4.5 | V    |      |
| Storage Temperature        | T <sub>S</sub>  | -40  |     | 85  | °C   |      |
| Case Operating Temperature | T <sub>OP</sub> | -10  |     | 70  | °C   |      |
| Relative Humidity          | RH              | 0    |     | 85  | %    | 1    |

## III. Electrical Characteristics (T<sub>OP</sub> = -10 to 70 °C, V<sub>CC</sub> = 3.00 to 3.60 Volts)

| Parameter                         | Symbol                 | Min                   | Typ | Max                             | Unit | Ref. |
|-----------------------------------|------------------------|-----------------------|-----|---------------------------------|------|------|
| Supply Voltage                    | V <sub>CC</sub>        | 3.15                  |     | 3.60                            | V    |      |
| Supply Current                    | I <sub>CC</sub>        |                       | 200 | 300                             | mA   |      |
| <b>Transmitter</b>                |                        |                       |     |                                 |      |      |
| Input differential impedance      | R <sub>in</sub>        |                       | 100 |                                 | Ω    | 2    |
| Single ended data input swing     | V <sub>in,pp</sub>     | 250                   |     | 1200                            | mV   |      |
| Transmit Disable Voltage          | V <sub>D</sub>         | V <sub>CC</sub> – 1.3 |     | V <sub>CC</sub>                 | V    |      |
| Transmit Enable Voltage           | V <sub>EN</sub>        | V <sub>EE</sub>       |     | V <sub>EE</sub> + 0.8           | V    | 3    |
| Transmit Disable Assert Time      |                        |                       |     | 10                              | us   |      |
| <b>Receiver</b>                   |                        |                       |     |                                 |      |      |
| Single ended data output swing    | V <sub>out,pp</sub>    | 300                   | 400 | 800                             | mV   | 4    |
| Data output rise time             | t <sub>r</sub>         |                       | 100 | 175                             | ps   | 5    |
| Data output fall time             | t <sub>f</sub>         |                       | 100 | 175                             | ps   | 5    |
| LOS Fault                         | V <sub>LOS fault</sub> | V <sub>CC</sub> – 0.5 |     | V <sub>CC</sub> <sub>HOST</sub> | V    | 6    |
| LOS Normal                        | V <sub>LOS norm</sub>  | V <sub>EE</sub>       |     | V <sub>EE</sub> +0.5            | V    | 6    |
| Power Supply Rejection            | PSR                    | 100                   |     |                                 | mVpp | 7    |
| Deterministic Jitter Contribution | RX Δ DJ                |                       |     | 51.7                            | ps   | 8    |
| Total Jitter Contribution         | RX Δ TJ                |                       |     | 122.4                           | ps   |      |

### Notes:

1. Non condensing.
2. Connected directly to TX data input pins. AC coupled thereafter.
3. Or open circuit.
4. Into 100 ohms differential termination.
5. 20 – 80 %
6. Loss Of Signal is LVTTTL. Logic 0 indicates normal operation; logic 1 indicates no signal detected.
7. Receiver sensitivity is compliant with power supply sinusoidal modulation of 20 Hz to 1.5 MHz up to specified value applied through the recommended power supply filtering network.
8. Measured with DJ-free data input signal. In actual application, output DJ will be the sum of input DJ and Δ DJ.

**IV. Optical Characteristics ( $T_{OP} = -10$  to  $70^{\circ}\text{C}$ ,  $V_{CC} = 3.00$  to  $3.60$  Volts)**

| Parameter  | Symbol         | Min  | Typ | Max   | Unit          | Ref. |
|--|----------------|------|-----|-------|---------------|------|
| <b>Transmitter</b>                                     |                |      |     |       |               |      |
| Output Opt. Pwr: 9/125 SMF                             | $P_{OUT}$      | 0    |     | 5     | dBm           | 1    |
| Optical Wavelength                                     | $\lambda$      | 1540 |     | 1570  | nm            |      |
| Spectral Width (-20dB)                                 | $\sigma$       |      |     | 1     | nm            |      |
| Optical Extinction Ratio                               | ER             | 9    |     |       | dB            |      |
| Optical Modulation Amplitude                           | OMA            | 174  |     |       | $\mu\text{W}$ | 2    |
| Sidemode Supression ratio                              | $SSR_{min}$    | 30   |     |       | dB            |      |
| Optical Rise/Fall Time                                 | $t_r / t_f$    |      |     | 180   | ps            | 3    |
| Relative Intensity Noise                               | RIN            |      |     | -120  | dB/Hz         |      |
| Deterministic Jitter Contribution                      | $RX \Delta DJ$ |      |     | 51.7  | ps            | 4    |
| Total Jitter Contribution                              | $RX \Delta TJ$ |      |     | 122.4 | ps            |      |
| <b>Receiver</b>  |                |      |     |       |               |      |
| Average Rx Sensitivity @ 2.125 Gb/s (2X Fibre Channel) | $R_{SENS1}$    |      |     | -21   | dBm           | 5, 6 |
| Average Rx Sensitivity @ 1.25 Gb/s (Gigabit Ethernet)  | $R_{SENS2}$    |      |     | -22   | dBm           | 5, 6 |
| Average Rx Sensitivity @ 1.06 Gb/s (1X Fibre Channel)  | $R_{SENS1}$    |      |     | -22   | dBm           | 5, 6 |
| Stressed RX sens. =1.25 Gb/s                           |                |      | -18 | -14.5 | dBm           |      |
| Average Received Power                                 | $R_{XMAX}$     |      |     | 0     | dBm           |      |
| Receiver Elec. 3 dB cutoff freq.                       |                |      |     | 1500  | MHz           |      |
| Optical Center Wavelength                              | $\lambda_C$    | 1270 |     | 1600  | nm            |      |
| Return Loss  |                | 12   |     |       | dB            |      |
| LOS De-Assert  | $LOS_D$        |      | -23 | -19   | dBm           |      |
| LOS Assert   | $LOS_A$        | -30  | -25 |       | dBm           |      |
| LOS Hysteresis   |                | 0.5  |     |       | dB            |      |

**Notes:**

- Class 1 Laser Safety per FDA/CDRH and EN (IEC) 60825 regulations.
- Equivalent extinction ratio specification for Fibre Channel. Allows smaller ER at higher average power.
- Unfiltered, 20-80%. Complies with IEEE 802.3 (Gig. E), FC 1x and 2x eye masks when filtered.
- Measured with DJ-free data input signal. In actual application, output DJ will be the sum of input DJ and  $\Delta DJ$ .
- Measured with conformance signals defined in FC-PI 13.0 specifications.
- Measured with PRBS  $2^7-1$  at  $10^{-12}$  BER

## V. General Specifications

| Parameter  | Symbol            | Min  | Typ | Max        | Units  | Ref. |
|--|-------------------|------|-----|------------|--------|------|
| Data Rate  | BR                | 1062 |     | 2125       | Mb/sec | 1    |
| Bit Error Rate   | BER               |      |     | $10^{-12}$ |        | 2    |
| Max. Supported Link Length on 9/125 $\mu$ m SMF @ 2X Fibre Channel | L <sub>MAX1</sub> |      | 76  |            | km     | 3, 4 |
| Max. Supported Link Length on 9/125 $\mu$ m SMF @ Gigabit Ethernet | L <sub>MAX2</sub> |      | 88  |            | km     | 3, 4 |

### Notes:

1. Gigabit Ethernet and 1x/2x Fibre Channel compliant.
2. Tested with a PRBS 2<sup>7</sup>-1 test pattern.
3. Dispersion limited per FC-PI Rev. 13
4. Attenuation of 0.25 dB/km is used for the link length calculations. Distances are indicative only. A 2dB penalty is included for dispersion on >2Gb/s data rates. Please refer to the Optical Specifications in Table IV to calculate a more accurate link budget based on specific conditions in your application.

## VI. Environmental Specifications

Finisar 1550nm SFP transceivers have an extended operating temperature range from –10°C to +70°C case temperature.

| Parameter                  | Symbol           | Min | Typ | Max | Units | Ref. |
|----------------------------|------------------|-----|-----|-----|-------|------|
| Case Operating Temperature | T <sub>op</sub>  | -10 |     | 70  | °C    |      |
| Storage Temperature        | T <sub>sto</sub> | -40 |     | 85  | °C    |      |

## VII. Regulatory Compliance

Finisar transceivers are Class 1 Laser Products and comply with US FDA regulations. These products are certified by TÜV and CSA to meet the Class 1 eye safety requirements of EN (IEC) 60825 and the electrical safety requirements of EN (IEC) 60950. Copies of certificates are available at Finisar Corporation upon request.

## VIII. Digital Diagnostic Functions

Finisar FTRJ1519P1xCL SFP transceivers support the 2-wire serial communication protocol as defined in the SFP MSA<sup>1</sup>. It is very closely related to the E<sup>2</sup>PROM defined in the GBIC standard, with the same electrical specifications.

The standard SFP serial ID provides access to identification information that describes the transceiver's capabilities, standard interfaces, manufacturer, and other information.

Additionally, Finisar SFP transceivers provide a unique enhanced digital diagnostic monitoring interface, which allows real-time access to device operating parameters such as transceiver temperature, laser bias current, transmitted optical power, received optical power and transceiver supply voltage. It also defines a sophisticated system of alarm and warning flags, which alerts end-users when particular operating parameters are outside of a factory set normal range.

The SFP MSA defines a 256-byte memory map in E<sup>2</sup>PROM that is accessible over a 2-wire serial interface at the 8 bit address 1010000X (A0h). The digital diagnostic monitoring interface makes use of the 8 bit address 1010001X (A2h), so the originally defined serial ID memory map remains unchanged. The interface is identical to, and is thus fully backward compatible with both the GBIC Specification and the SFP Multi Source Agreement. The complete interface is described in Finisar Application Note AN-2030: "Digital Diagnostics Monitoring Interface for SFP Optical Transceivers".

The operating and diagnostics information is monitored and reported by a Digital Diagnostics Transceiver Controller (DDTC) inside the transceiver, which is accessed through a 2-wire serial interface. When the serial protocol is activated, the serial clock signal (SCL, Mod Def 1) is generated by the host. The positive edge clocks data into the SFP transceiver into those segments of the E<sup>2</sup>PROM that are not write-protected. The negative edge clocks data from the SFP transceiver. The serial data signal (SDA, Mod Def 2) is bi-directional for serial data transfer. The host uses SDA in conjunction with SCL to mark the start and end of serial protocol activation. The memories are organized as a series of 8-bit data words that can be addressed individually or sequentially.

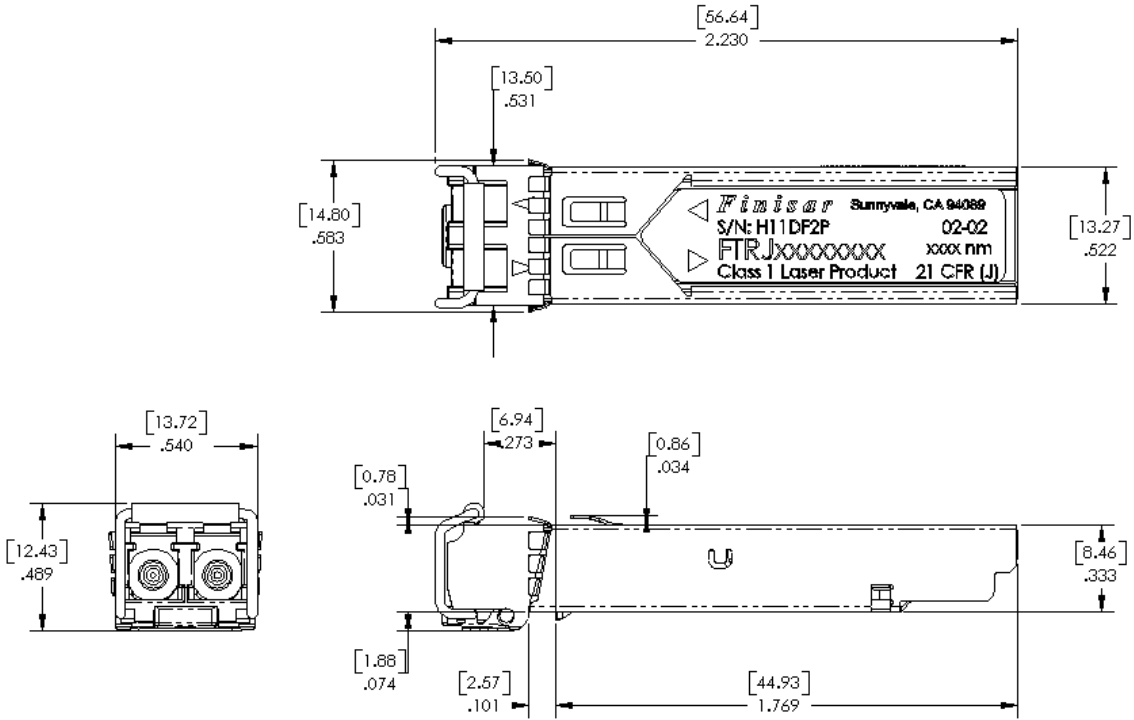
For more information, please see the SFP MSA documentation<sup>1</sup> or Finisar Application Note AN-2030.

Digital diagnostics for the FTRJ1519P1xCL are externally calibrated by default.

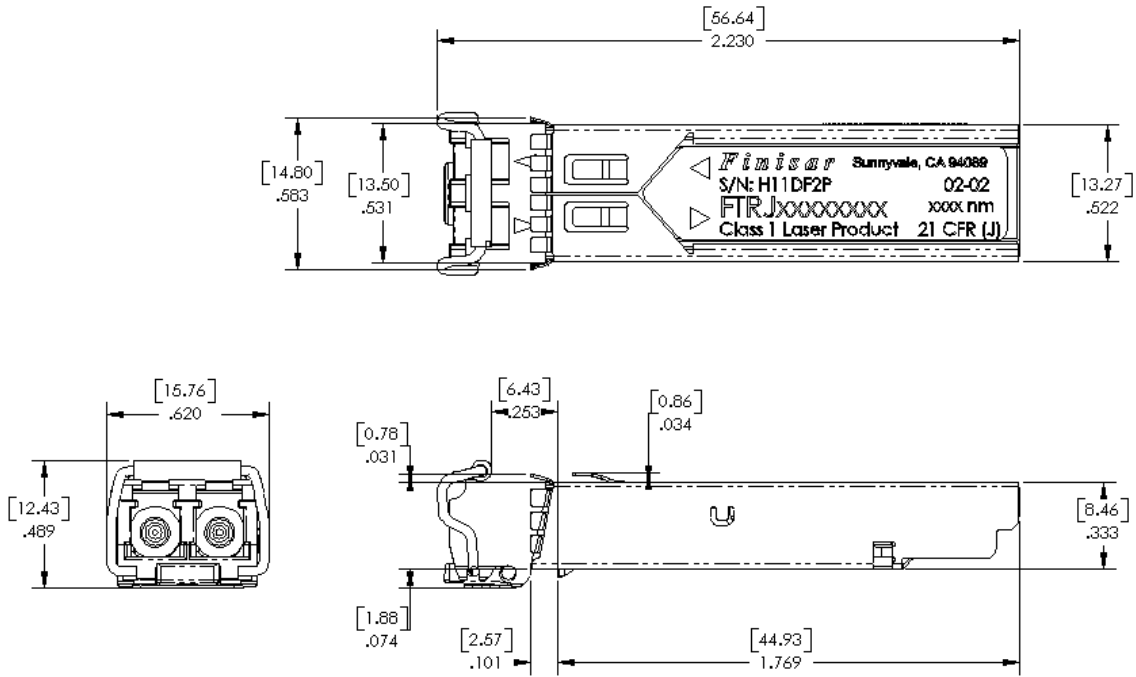
Please note that evaluation board FDB-1018 is available with Finisar ModDEMO software that allows simple to use communication over the 2-wire serial interface.

**IX. Mechanical Specifications**

Finisar’s OC-48/STM-16 Small Form Factor Pluggable (SFP) transceivers are compatible with the dimensions defined by the SFP Multi-Sourcing Agreement (MSA).



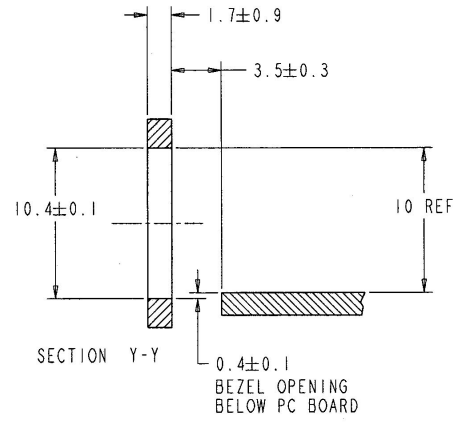
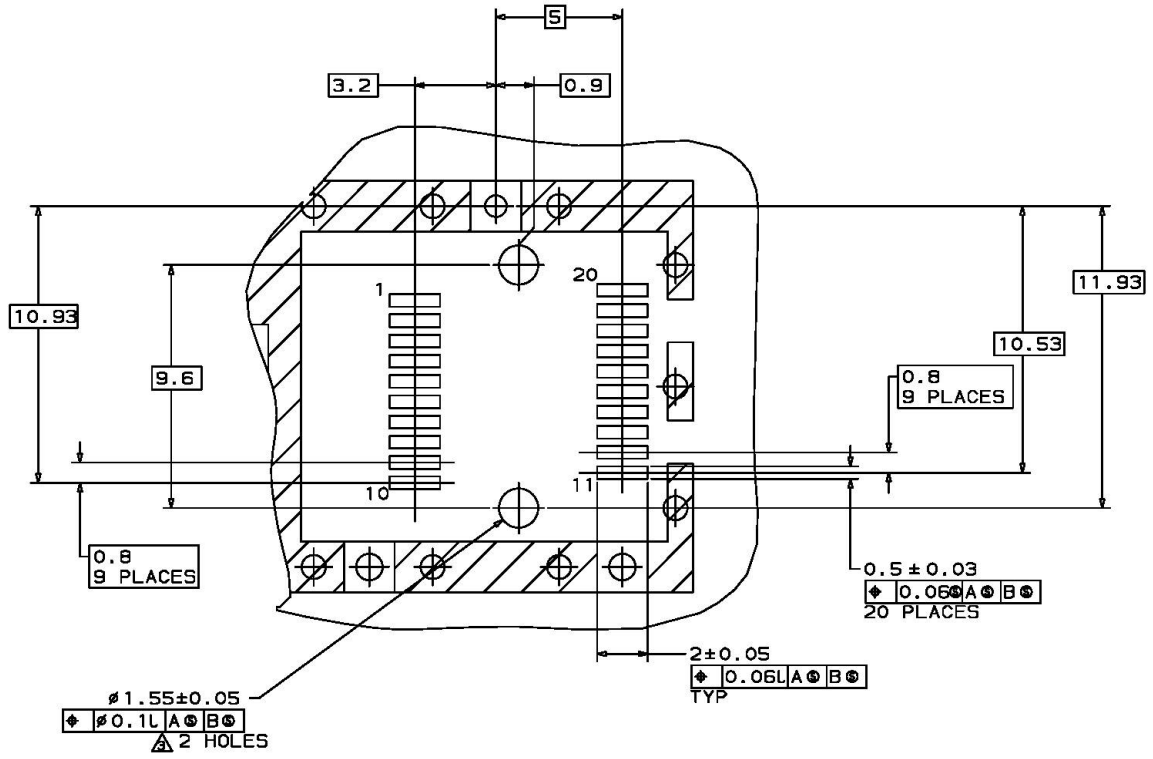
**FTRJ1519P1BCL**



**FTRJ1519P1WCL**







NOTES:

- 1.  $\triangle$  MINIMUM PITCH ILLUSTRATED, ENGLISH DIMENSIONS ARE FOR REFERENCE ONLY
- 2. NOT RECOMMENDED FOR PCI EXPANSION CARD APPLICATIONS

## **XI. References**

1. “Fibre Channel Physical and Signaling Interface (FC-PH, FC-PH2, FC-PH3)”. American National Standard for Information Systems.
2. “Fibre Channel Draft Physical Interface Specification (FC-PI 13.0)”. American National Standard for Information Systems.(\*)
3. Small Form Factor Pluggable (SFP) Transceiver Multi-Source Agreement (MSA), September 2000. Documentation is currently available at Finisar upon request.
4. IEEE Std 802.3. IEEE Standards Department, 2002.

(\*) FC-PI 13.0 does not specify a 1550nm DFB interface for extended reach applications. The FTRJ1519P1xCL complies with this standard, except for the optical output power. See section IV for details.

## **XII. For More Information**

Finisar Corporation  
1308 Moffett Park Drive  
Sunnyvale, CA 94089-1133  
Tel. 1-408-548-1000  
Fax 1-408-541-6138  
[sales@finisar.com](mailto:sales@finisar.com)  
[www.finisar.com](http://www.finisar.com)