

## Product Specification

### 6.1 Gb/s Short-Wavelength SFP+ Transceiver

#### FTLF8526P3BNL

#### PRODUCT FEATURES

- Up to 6.1 Gb/s bi-directional data links
- Hot-pluggable SFP+ footprint
- Built-in digital diagnostic functions
- 850nm Oxide VCSEL laser transmitter
- Duplex LC connector
- RoHS compliant and Lead Free
- 300m on high-bandwidth 50/125um (OM3) MMF
- Metal enclosure, for lower EMI
- Single 3.3V power supply
- < 0.5W power dissipation
- Extended operating temperature range: -40°C to 85°C



#### APPLICATIONS

- Wireless – CPRI, OBSAI, LTE ..

Finisar's FTLF8526P3BNL SFP+ transceivers are designed for use in wireless application of links up to 6.1 Gb/s data rate over multimode fiber. The product is RoHS compliant and lead-free per Directive 2002/95/EC<sup>d</sup>

#### PRODUCT SELECTION

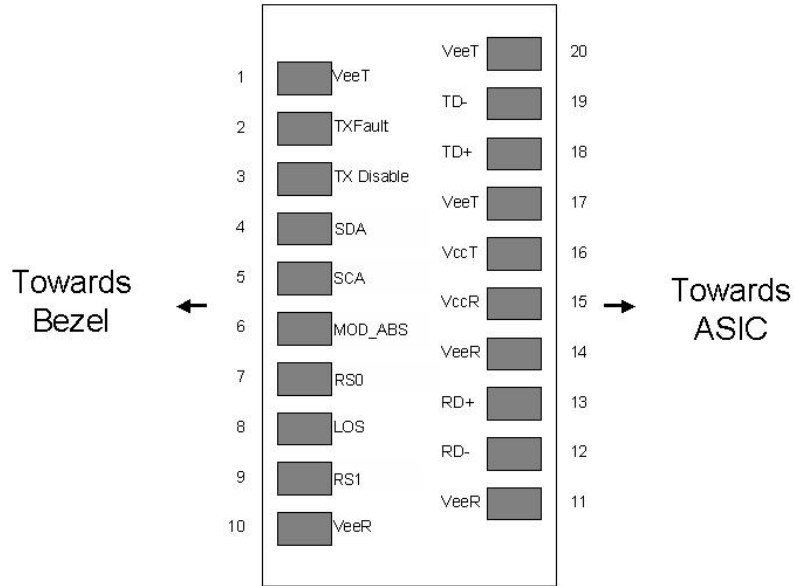
**FTLF8526P3BNL**

4. **Pin Descriptions**

| Pin | Symbol             | Name/Description   | Ref. |
|-----|--------------------|--|------|
| 1   | V <sub>EET</sub>   | Transmitter Ground (Common with Receiver Ground)                 | 1    |
| 2   | T <sub>FAULT</sub> | Transmitter Fault.   | 2    |
| 3   | T <sub>DIS</sub>   | Transmitter Disable. Laser output disabled on high or open.      | 3    |
| 4   | SDA                | 2-wire Serial Interface Data Line (MOD-DEF2)                     | 4    |
| 5   | SCA                | 2-wire Serial Interface Clock (MOD-DEF1)                         | 4    |
| 6   | MOD_ABS            | Module Absent, connected to V <sub>EET</sub> or V <sub>EER</sub> | 4    |
| 7   | RS0                | NC   |      |
| 8   | LOS                | Loss of Signal indication. Logic 0 indicates normal operation.   | 5    |
| 9   | RS1                | NC   |      |
| 10  | V <sub>EER</sub>   | Receiver Ground (Common with Transmitter Ground)                 | 1    |
| 11  | V <sub>EER</sub>   | Receiver Ground (Common with Transmitter Ground)                 | 1    |
| 12  | RD-                | Receiver Inverted DATA out. AC Coupled                           |      |
| 13  | RD+                | Receiver Non-inverted DATA out. AC Coupled                       |      |
| 14  | V <sub>EER</sub>   | Receiver Ground (Common with Transmitter Ground)                 | 1    |
| 15  | V <sub>CCR</sub>   | Receiver Power Supply  |      |
| 16  | V <sub>CCT</sub>   | Transmitter Power Supply   |      |
| 17  | V <sub>EET</sub>   | Transmitter Ground (Common with Receiver Ground)                 | 1    |
| 18  | TD+                | Transmitter Non-Inverted DATA in. AC Coupled.                    |      |
| 19  | TD-                | Transmitter Inverted DATA in. AC Coupled.                        |      |
| 20  | V <sub>EET</sub>   | Transmitter Ground (Common with Receiver Ground)                 | 1    |

**Notes:**

1. Circuit ground is internally isolated from chassis ground.
2. T<sub>FAULT</sub> is an open collector/drain output, which should be pulled up with a 4.7k – 10k Ohms resistor on the host board if intended for use. Pull up voltage should be between 2.0V to V<sub>cc</sub> + 0.3V. A high output indicates a transmitter fault caused by either the TX bias current or the TX output power exceeding the preset alarm thresholds. A low output indicates normal operation. In the low state, the output is pulled to <0.8V.
3. Laser output disabled on T<sub>DIS</sub> >2.0V or open, enabled on T<sub>DIS</sub> <0.8V.
4. Should be pulled up with 4.7k – 10kohms on host board to a voltage between 2.0V and 3.6V. MOD\_ABS pulls line low to indicate module is plugged in.
5. LOS is open collector output. Should be pulled up with 4.7k – 10kohms on host board to a voltage between 2.0V and 3.6V. Logic 0 indicates normal operation; logic 1 indicates loss of signal.



**Diagram of Host Board Connector Block Pin Numbers and Names**

**4. Absolute Maximum Ratings**

| Parameter                          | Symbol         | Min  | Typ | Max | Unit | Ref. |
|------------------------------------|----------------|------|-----|-----|------|------|
| Maximum Supply Voltage             | Vcc            | -0.5 |     | 4.0 | V    |      |
| Storage Temperature                | T <sub>S</sub> | -40  |     | 85  | °C   |      |
| Case Operating Temperature         | T <sub>A</sub> | -40  |     | 85  | °C   |      |
| Relative Humidity (Non-condensing) | RH             | 0    |     | 85  | %    |      |

**III. Electrical Characteristics (T<sub>A</sub>, V<sub>CC</sub> = 3.15 to 3.46 Volts)**

| Parameter                             | Symbol                          | Min             | Typ | Max                   | Unit | Ref. |
|---------------------------------------|---------------------------------|-----------------|-----|-----------------------|------|------|
| Supply Voltage                        | V <sub>CC</sub>                 | 3.15            |     | 3.45                  | V    |      |
| Supply Current                        | I <sub>CC</sub>                 |                 |     | 180                   | mA   |      |
| <b>Transmitter</b>                    |                                 |                 |     |                       |      |      |
| Input differential impedance          | R <sub>in</sub>                 |                 | 100 |                       | Ω    | 1    |
| Single ended data input swing         | V <sub>in,pp</sub>              | 90              |     | 800                   | mV   |      |
| Transmit Disable Voltage              | V <sub>D</sub>                  | 2               |     | V <sub>CC</sub>       | V    | 2    |
| Transmit Enable Voltage               | V <sub>EN</sub>                 | V <sub>EE</sub> |     | V <sub>EE</sub> + 0.8 | V    |      |
| <b>Receiver</b>                       |                                 |                 |     |                       |      |      |
| Single ended data output swing        | V <sub>out,pp</sub>             | 185             |     | 425                   | mV   | 3    |
| Data Output Rise/Fall Time @ 6.1 Gb/s | t <sub>r</sub> / t <sub>f</sub> |                 |     | 80                    | ps   | 4    |
| LOS Fault                             | V <sub>LOS fault</sub>          | 2               |     | V <sub>CCHOST</sub>   | V    | 5    |
| LOS Normal                            | V <sub>LOS norm</sub>           | V <sub>EE</sub> |     | V <sub>EE</sub> +0.8  | V    | 5    |
| Power Supply Rejection                | PSR                             | 100             |     |                       | mVpp | 6    |
| Deterministic Jitter @ 6.1 Gb/s       | RX DJ                           |                 |     | 70                    | ps   |      |
| Total Jitter @ 6.1 Gb/s               | RX TJ                           |                 |     | 116                   | ps   |      |

Notes:

1. Connected directly to TX data input pins. AC coupling from pins into laser driver IC.
2. Or open circuit.
3. Into 100 ohms differential termination.
4. Unfiltered, 20 – 80 %
5. LOS is an open collector output. Should be pulled up with 4.7k – 10kohms on the host board. Normal operation is logic 0; loss of signal is logic 1. Maximum pull-up voltage is 5.5V.
6. Receiver sensitivity is compliant with power supply sinusoidal modulation of 20 Hz to 1.5 MHz up to specified value applied through the recommended power supply filtering network.

VI. **Optical Characteristics (T<sub>A</sub>, V<sub>CC</sub> = 3.15 to 3.46 Volts)**

| Parameter                       | Symbol                          | Min  | Typ | Max  | Unit    | Ref. |
|---------------------------------|---------------------------------|------|-----|------|---------|------|
| <b>Transmitter</b>              |                                 |      |     |      |         |      |
| Output Opt. Pwr: 50 or 62.5 MMF | P <sub>OUT</sub>                | -8.2 |     |      | dBm     | 1    |
| Optical Wavelength              | $\lambda$                       | 840  |     | 860  | nm      |      |
| Spectral Width                  | $\sigma$                        |      |     | 0.65 | nm      |      |
| Optical Modulation Amplitude    | OMA                             | 302  |     |      | $\mu$ W |      |
| Optical Rise/Fall Time          | t <sub>r</sub> / t <sub>f</sub> |      |     | 90   | ps      | 2    |
| Relative Intensity Noise        | RIN                             |      |     | -128 | dB/Hz   |      |
| <b>Receiver</b>                 |                                 |      |     |      |         |      |
| Receiver OMA Sensitivity        | RxSENS                          |      |     | 76   | $\mu$ W |      |
| Average Receiver Power          | Rx <sub>MAX</sub>               | 0    |     |      | dBm     |      |
| Optical Center Wavelength       | $\lambda_C$                     | 770  |     | 860  | nm      |      |
| Optical Return Loss             |                                 | 12   |     |      | dB      |      |
| LOS De-Assert                   | LOS <sub>D</sub>                |      |     | -18  | dBm     |      |
| LOS Assert                      | LOS <sub>A</sub>                | -30  |     |      | dBm     |      |
| LOS Hysteresis                  |                                 | 0.5  |     |      | dB      |      |

Notes:

1. Class 1 Laser Safety per FDA/CDRH, and EN (IEC) 60825 laser safety standards.
2. Unfiltered, 20-80%. Complies with FC 1x and 2x eye mask when filtered.

**VI. General Specifications**

| Parameter   | Symbol | Min | Typ | Max        | Units  | Ref. |
|---|--------|-----|-----|------------|--------|------|
| Data Rate   | BR     |     | 6.1 |            | Gb/sec |      |
| Bit Error Rate  | BER    |     |     | $10^{-12}$ |        | 1    |
| Fiber Length on 50/125 $\mu$ m high-bandwidth (OM3) MMF | L      |     |     | 300        | m      |      |

Notes:

1. PRBS 2<sup>7</sup>-1.

**VI. Environmental Specifications**

| Parameter                  | Symbol           | Min | Typ | Max | Units | Ref. |
|----------------------------|------------------|-----|-----|-----|-------|------|
| Case Operating Temperature | T <sub>op</sub>  | -40 |     | 85  | °C    |      |
| Storage Temperature        | T <sub>sto</sub> | -40 |     | 85  | °C    |      |

**VII. Regulatory Compliance**

Finisar transceivers are Class Finisar laser transceiver complies with Laser Class 1 per latest edition of EN60825-1 and IEC 60825-1 for fiber optic systems.

## VIII. Digital Diagnostic Functions

Finisar FTLF8526P3BNL SFP+ transceivers support the 2-wire serial communication protocol as defined in the SFP MSA<sup>c</sup>. It is very closely related to the E<sup>2</sup>PROM defined in the GBIC standard, with the same electrical specifications.

The standard SFP serial ID provides access to identification information that describes the transceiver's capabilities, standard interfaces, manufacturer, and other information.

Additionally, Finisar SFP transceivers provide an enhanced digital diagnostic monitoring interface, which allows real-time access to device operating parameters such as transceiver temperature, laser bias current, transmitted optical power, received optical power and transceiver supply voltage. It also defines a sophisticated system of alarm and warning flags, which alerts end-users when particular operating parameters are outside of a factory set normal range.

The SFP MSA defines a 256-byte memory map in E<sup>2</sup>PROM that is accessible over a 2-wire serial interface at the 8 bit address 1010000X (A0h). The digital diagnostic monitoring interface makes use of the 8 bit address 1010001X (A2h), so the originally defined serial ID memory map remains unchanged. The interface is identical to, and is thus fully backward compatible with both the GBIC Specification and the SFP Multi Source Agreement. The complete interface is described in Finisar Application Note AN-2030: "Digital Diagnostics Monitoring Interface for SFP Optical Transceivers".

The operating and diagnostics information is monitored and reported by a Digital Diagnostics Transceiver Controller (DDTC) inside the transceiver, which is accessed through a 2-wire serial interface. When the serial protocol is activated, the serial clock signal (SCL, Mod Def 1) is generated by the host. The positive edge clocks data into the SFP transceiver into those segments of the E<sup>2</sup>PROM that are not write-protected. The negative edge clocks data from the SFP transceiver. The serial data signal (SDA, Mod Def 2) is bi-directional for serial data transfer. The host uses SDA in conjunction with SCL to mark the start and end of serial protocol activation. The memories are organized as a series of 8-bit data words that can be addressed individually or sequentially.

For more information, please see the SFP MSA documentation<sup>b,e</sup> and Finisar Application Note AN-2030.

Please note that evaluation board FDB-1027 is available with Finisar ModDEMO software that allows simple to use communication over the 2-wire serial interface.

**IX. Digital Diagnostic Specifications**

FTLF8526P3BNL transceivers can be used in host systems that require either internally or externally calibrated digital diagnostics.

| Parameter                                      | Symbol                    | Min | Typ | Max | Units | Ref. |
|--|---------------------------|-----|-----|-----|-------|------|
| <b>Accuracy</b>                                |                           |     |     |     |       |      |
| Internally measured transceiver temperature    | DD <sub>Temperature</sub> |     |     | 3   | °C    |      |
| Internally measured transceiver supply voltage | DD <sub>Voltage</sub>     |     |     | 100 | mV    |      |
| Measured TX bias current                       | DD <sub>Bias</sub>        |     |     | 10  | %     | 1    |
| Measured TX output power                       | DD <sub>Tx-Power</sub>    |     |     | 3   | dB    |      |
| Measured RX received average optical power     | DD <sub>Rx-Power</sub>    |     |     | 3   | dB    |      |
| <b>Dynamic Range for Rated Accuracy</b>        |                           |     |     |     |       |      |
| Internally measured transceiver temperature    | DD <sub>Temperature</sub> | -5  |     | 85  | °C    |      |
| Internally measured transceiver supply voltage | DD <sub>Voltage</sub>     | 3.0 |     | 3.6 | V     |      |
| Measured TX bias current                       | DD <sub>Bias</sub>        | 0   |     | 20  | mA    |      |
| Measured TX output power                       | DD <sub>Tx-Power</sub>    | -9  |     | -2  | dBm   |      |
| Measured RX received average optical power     | DD <sub>Rx-Power</sub>    | -11 |     | -1  | dBm   |      |
| <b>Max Reporting Range</b>                     |                           |     |     |     |       |      |
| Internally measured transceiver temperature    | DD <sub>Temperature</sub> | -40 |     | 125 | °C    |      |
| Internally measured transceiver supply voltage | DD <sub>Voltage</sub>     | 2.8 |     | 4.0 | V     |      |
| Measured TX bias current                       | DD <sub>Bias</sub>        | 0   |     | 20  | mA    |      |
| Measured TX output power                       | DD <sub>Tx-Power</sub>    | -10 |     | -2  | dBm   |      |
| Measured RX received average optical power     | DD <sub>Rx-Power</sub>    | -12 |     | 0   | dBm   |      |

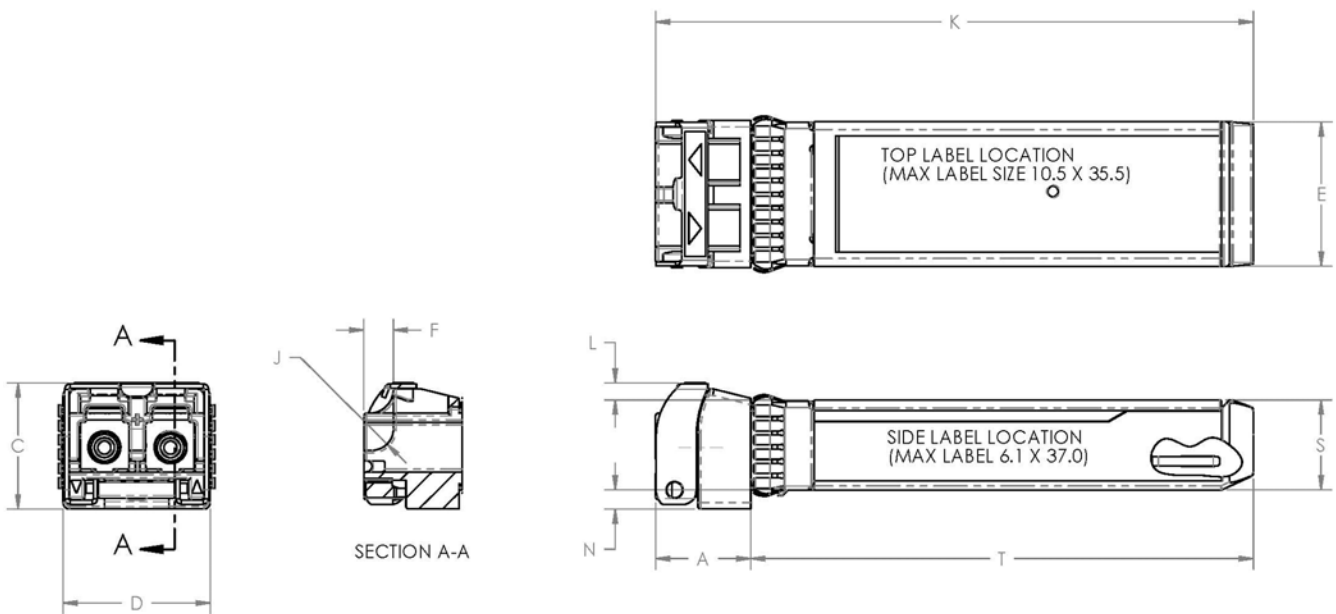
Notes:

1. Accuracy of Measured Tx Bias Current is 10% of the actual Bias Current from the laser driver to the laser.



**X. Mechanical Specifications**

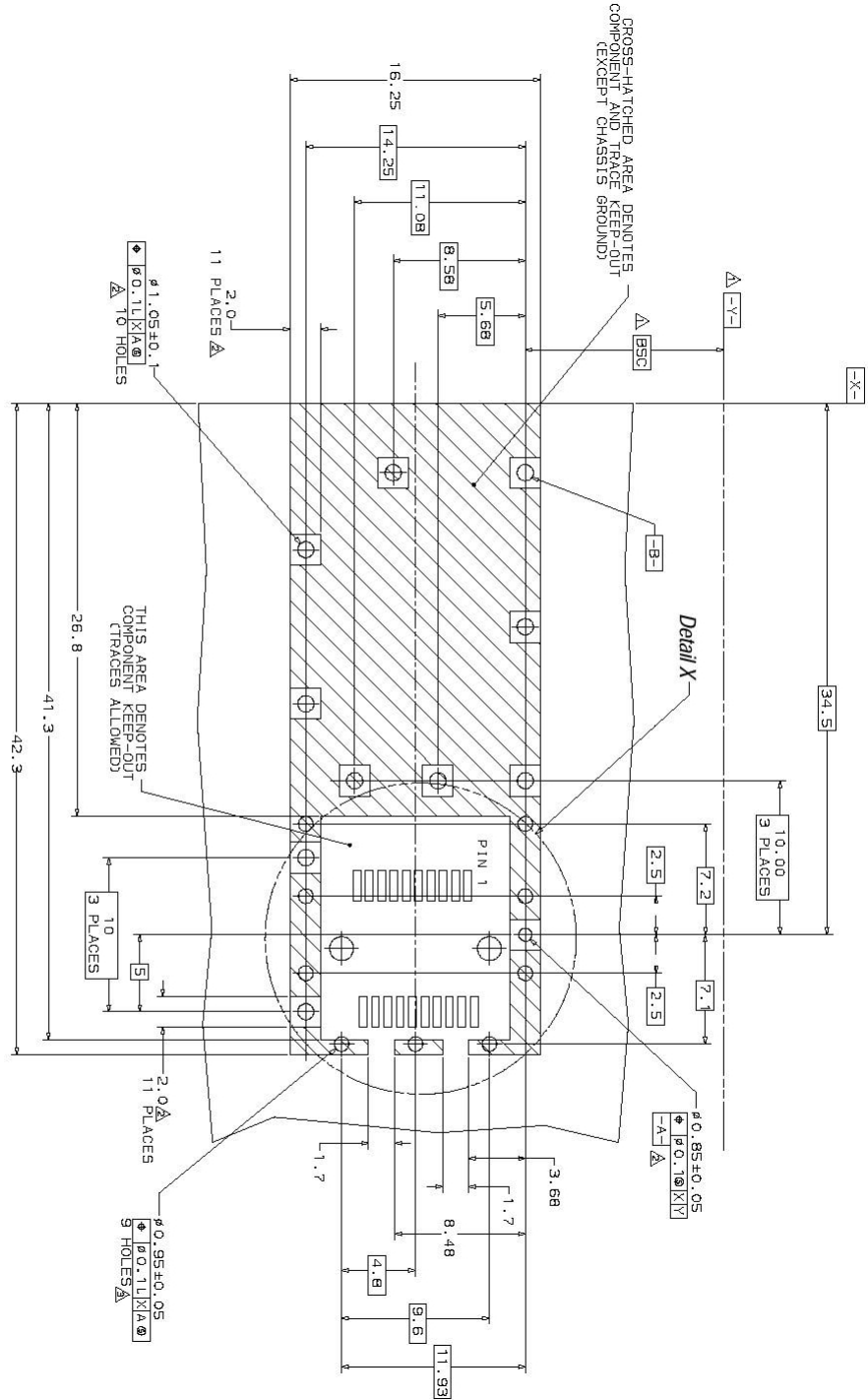
Finisar’s FTLF8526P3BNL SFP+ transceivers are compatible with the SFF-8432<sup>a</sup> specification for improved pluggable form factor.



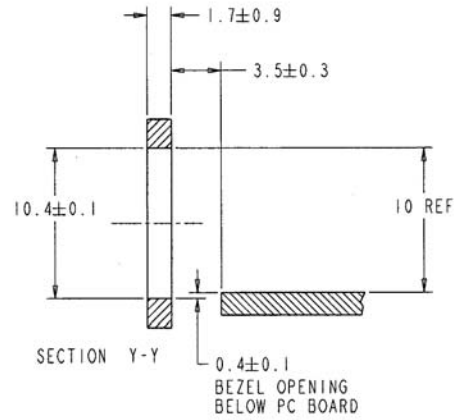
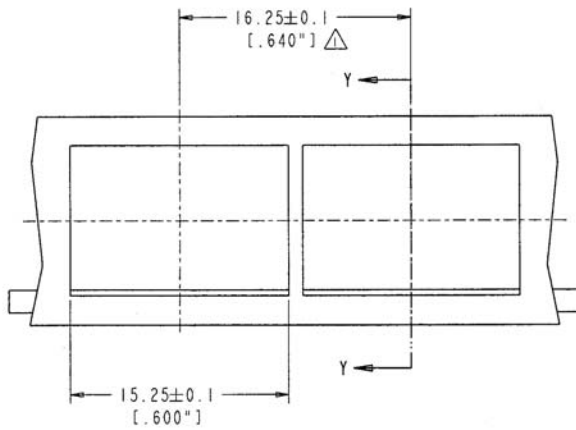
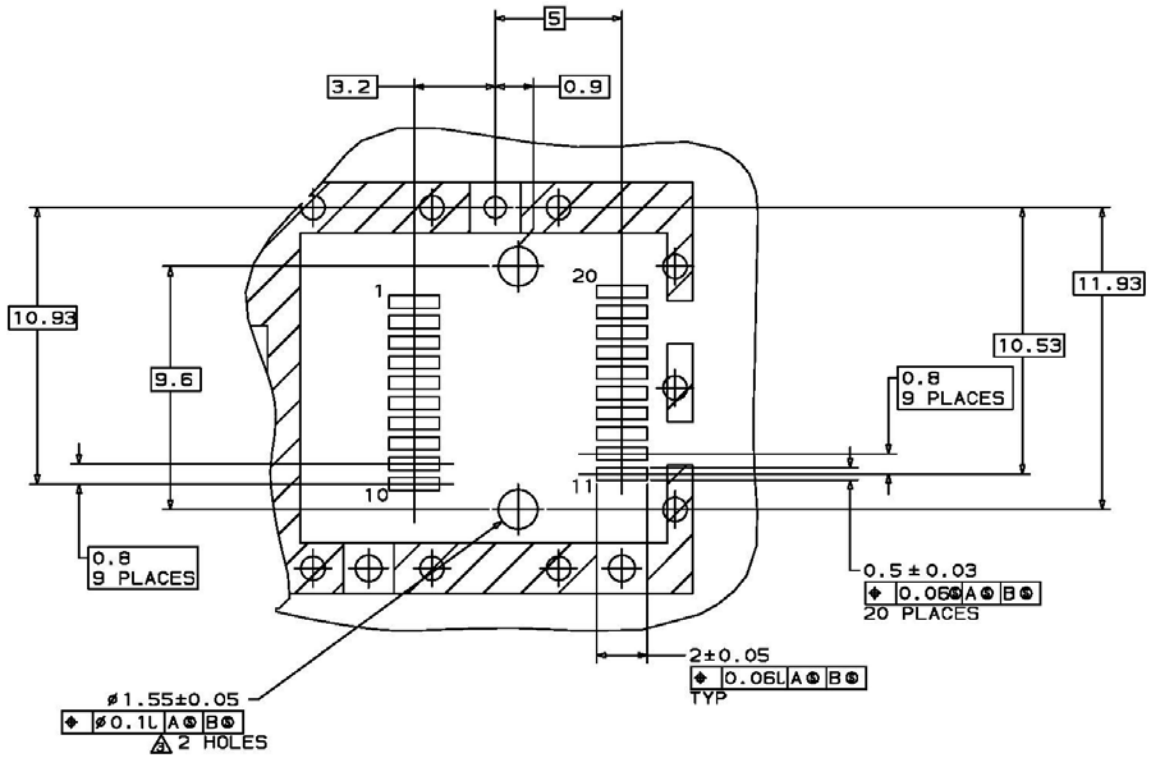
| ITEM | DIM (mm) | TOL (mm) |
|------|----------|----------|
| A    | 9.00     | ± 0.3    |
| C    | 11.90    | ± 0.5    |
| D    | 13.85    | ± 0.15   |
| E    | 13.65    | ± 0.15   |
| F    | 2.80     | ± 0.2    |
| J    | 2.00     | ± 0.2    |
| K    | 56.50    | REF      |
| L    | 1.60     | ± 0.5    |
| N    | 1.80     | ± 0.1    |
| S    | 8.55     | ± 0.15   |
| T    | 47.50    | ± 0.2    |

**FTLF8526P3BNL**

### XI. PCB Layout and Bezel Recommendations



- △ Datum and Basic Dimension Established by Customer
- △ Rads and Vias are Chassis Ground, 11 Places
- △ Through Holes are Unplated



- NOTES:
- △ MINIMUM PITCH ILLUSTRATED, ENGLISH DIMENSIONS ARE FOR REFERENCE ONLY
  - 2. NOT RECOMMENDED FOR PCI EXPANSION CARD APPLICATIONS

**XII. References**

- a. “Improved Pluggable Form Factor”, SFF Document Number SFF-8432, Revision 5.0, July 16, 2007.
- b. “Digital Monitoring Interface for Optical Transceivers”, SFF Document Number SFF-8472, Revision 11.0.
- c. “SFF-8431 Specifications for Enhanced Small Form Factor Pluggable Modules, SFP+”, SFF Document Number SFF-8431, Revision 4.1, July 6, 2009.
- d. Directive 2002/95/EC of the European Council Parliament and of the Council, “on the restriction of the use of certain hazardous substances in electrical and electronic equipment.” January 27, 2003.
- e. Small Form Factor Pluggable (SFP) Transceiver Multi-source Agreement (MSA), September 14, 2000.

**XIII. For More Information**

Finisar Corporation  
1389 Moffett Park Drive  
Sunnyvale, CA 94089-1133  
Tel. 1-408-548-1000  
Fax 1-408-541-6138  
[sales@finisar.com](mailto:sales@finisar.com)  
[www.finisar.com](http://www.finisar.com)